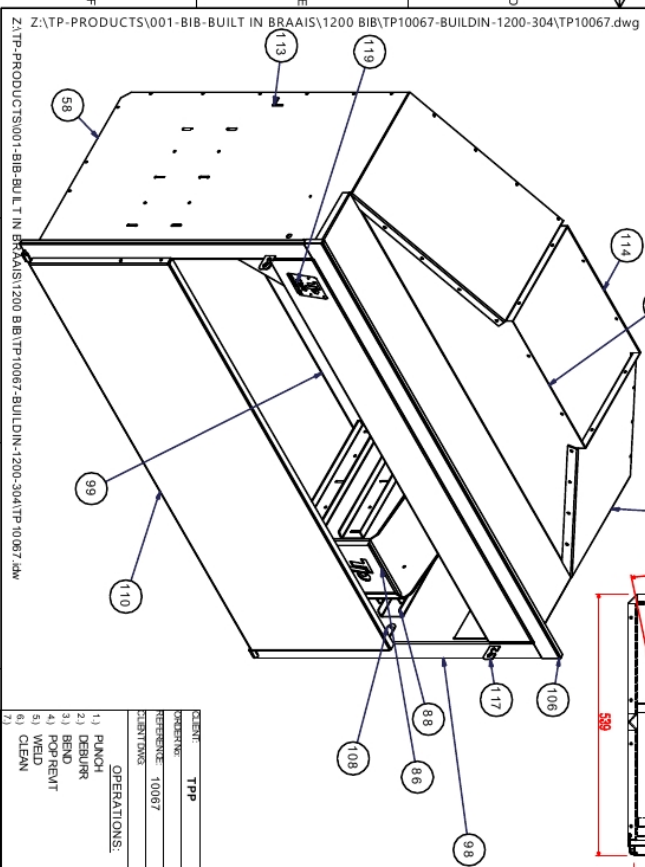
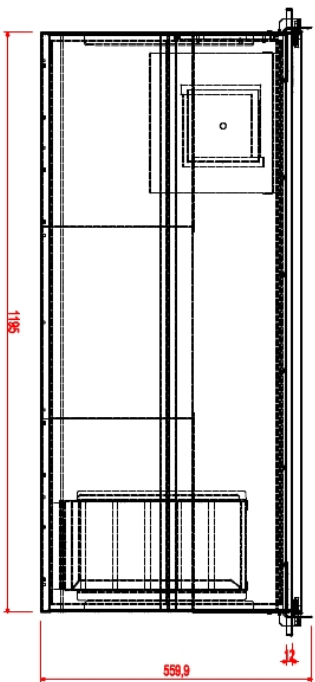
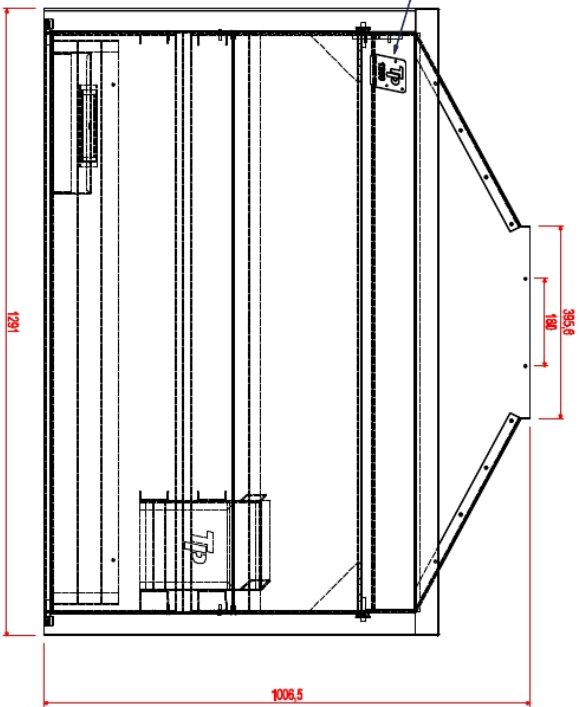
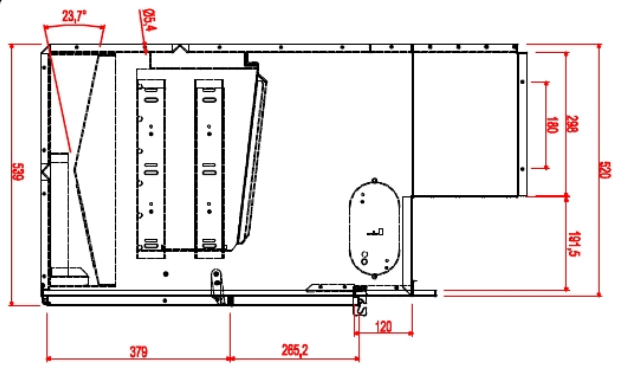


ITEM	QTY	PART NUMBER	DESCRIPTION
111	1	TP9688A	
58	1	TP9688C	
107	1	TP10067D	
106	1	TP9688E	
98	1	TP9688B	
101	1	TP9688V	
114	1	TP9688H	
113	1	TP9688J	
63	1	TP9688M	
72	1	LIGHT FITTING ALU - BLACK ALU	
75	2	BLM35 WH FITTING	
82	1	M4X20-STUD	
84	4	M5X2-MINARB-SS	
86	1	TP15710	
88	3	TP15710D-BLANK	
90	1	TP15710D-PTJIE	
91	1	TP15953K	
94	1	TP9688V4H	
99	1	TP9688V4B	
108	1	TP15953P	
109	1	M5X10-STUD	
110	1	TP9762C	
116	1	TP15953LRH	
117	1	TP9688X	
118	1	TP9688X_MIR	
119	1	TP9688I	



CLIENT: TPP	PROJECT: 10067	TOLERANCE	APPROVALS	DATE	TITLE	DWG. NO.	QTY
REFERENCE: 10067	OPERATIONS:	HOLES ± 0.1mm	DRAWN: [Signature]	2018/08/08	BUILD IN 1200 (304) - BIG BOX	TP10067-304	1
	1) PUNCH	1 BEND ± 0.2mm	APPROVED		FINISH: BRUSHED		
	2) DEBURR	BEND TO BEND ± 0.3mm	ORDER DATE	2018-08-19	MATERIAL: 2.0mm 304 SS		
	3) BEND	ANGLES ± 0.5	SHEET 1 OF 1				
	4) POP REW	(BS 308 P13)	SCALE				
	5) WELD						
	6) CLEAN						
	7)						

Z:\TP-PRODUCTS\001-BIB-BUILT IN BRAAIS\1200 BIB\TP10067-BUILDIN-1200-304\TP10067.dwg