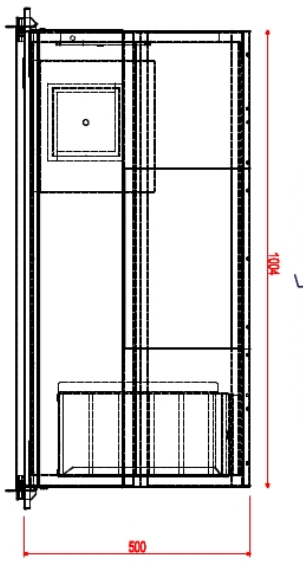
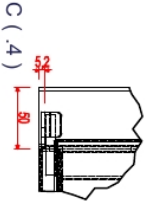
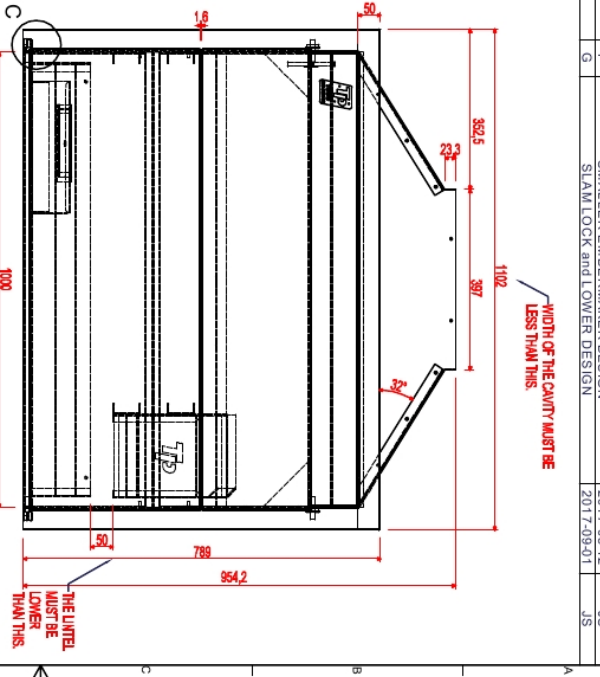
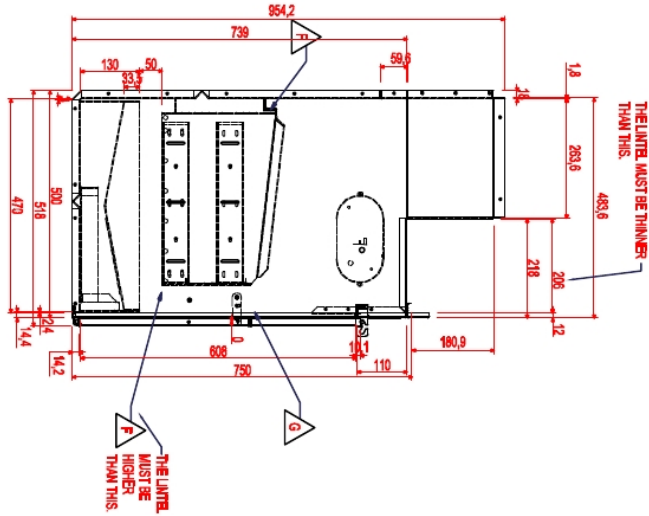
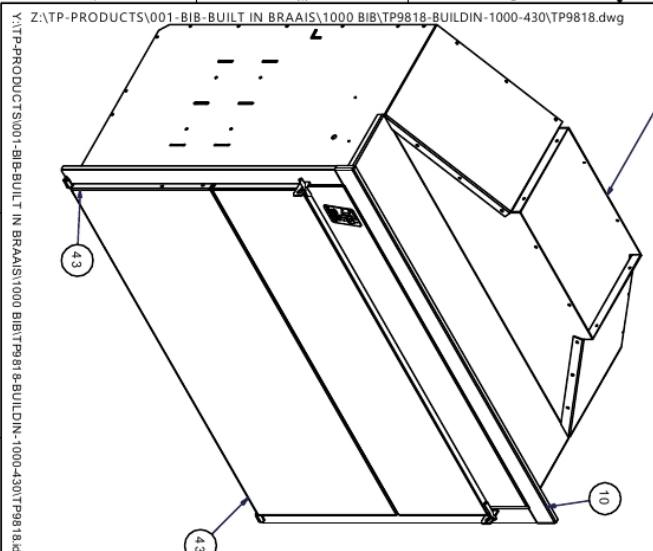


ITEM	QTY	PART NUMBER	DESCRIPTION
1	1	TP9688A	
5	1	TP9688H	
10	1	TP9688E	
32	1	LIGHT FITTING ALU - BLJMS WH	BLACK LIGHT ALU FITTING
42	1	TP98180	
43	1	TP98181	
47	1	TP15710	
49	1	TP9688C	
50	2	TP15710D-PTJUE	
51	1	M5X2-MINARB-SS	
52	1	TP15710D	
53	1	TP6455ABC	
55	1	LOGO - 1000 - BIG BOX	
56	1	TP9688V	
57	1	TP9688V-4h	
58	2	TP9688U	
60	2	TP15553K	
62	1	M5X10-STUD	
63	1	TP9688J	
64	1	TP9818D-dev-2	
65	1	TP9818B	
66	1	TP15553L-RH	
67	1	TP9688W	



ZONE/REV	DESCRIPTION	DATE	APPROVED
E	NEW LATCH DESIGN	2014-04-27	JS
F	SMALLER EMBERMAKER DESIGN	2017-05-12	JS
G	SLAM LOCK and LOWER DESIGN	2017-09-01	JS

CLIENT		APPROVALS	
TPP		DATE	DATE
PROJECT REFERENCE: 9818		DRAWN User	22/02/2013
OPERATIONS:		APPROVED	FINISH PVC
1) PUNCH		TITLE BUILD IN 1000, BIG BOX 304/430	
2) DEBURR		MATERIAL 2.0mm 430 SS, BRUSHED	
3) BEND		ORDER DATE	2013-02-21
4) POP REWIT		SHEET 1 OF 1	Dwg. No: TP9818
5) WELD		SCALE	QTY: 2
6) CLEAN			
7)			

TOLERANCE	
HOLES	± 0.1mm
1 BEND	± 0.2mm
BEND TO BEND	± 0.3mm
ANGLES	± 0.5
(BS 308P13)	