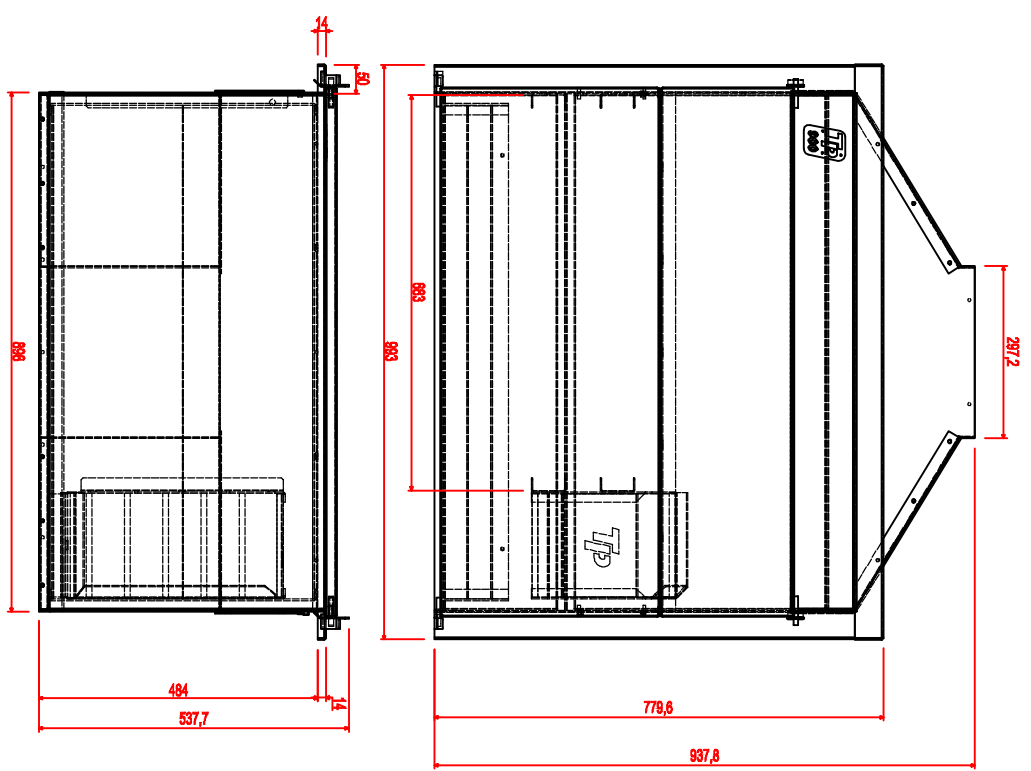
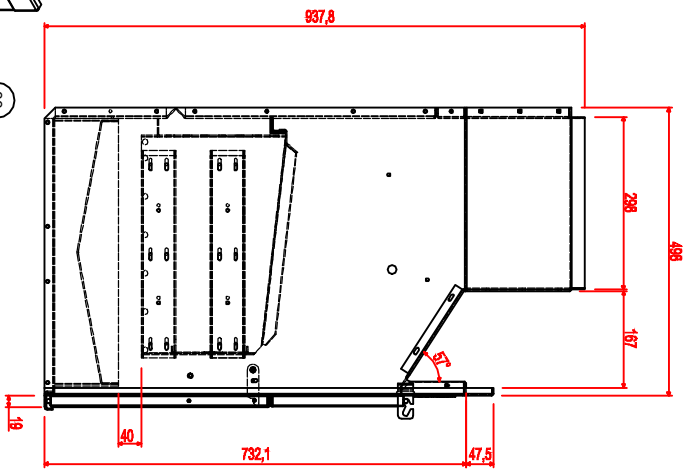
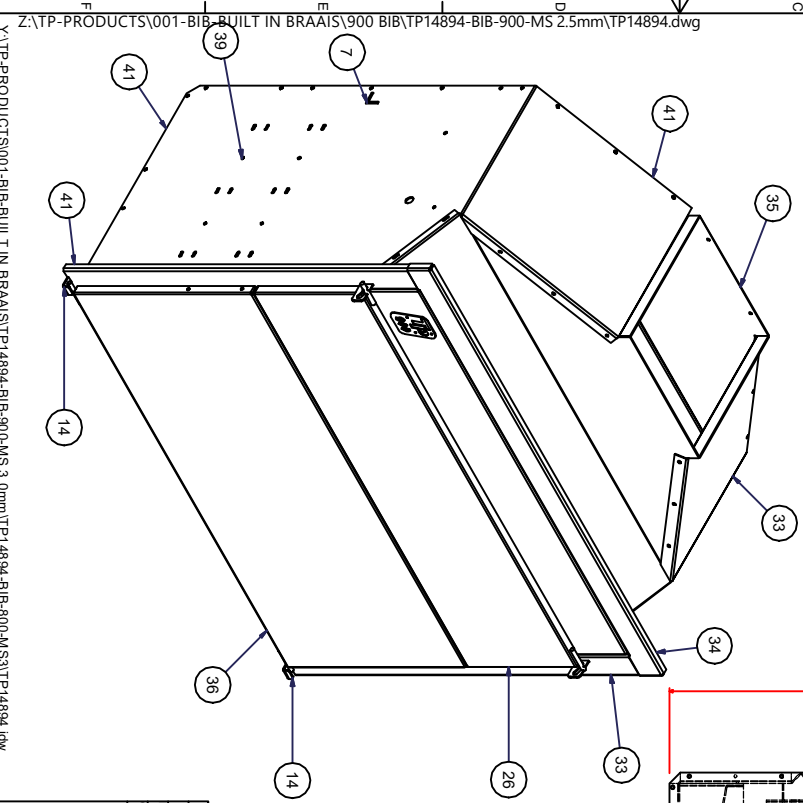


ITEM	QTY	PART NUMBER	DESCRIPTION
1	1	TP9688A	
7	1	TP9688J	
14	2	TP9818I	
24	2	M6-2-MINARB	
26	1	TP14480I	
29	1	TP14480Q	
33	1	TP9688B	
34	1	TP9688E	
35	1	TP9818F-rev-B	
36	1	TP14480J	
38	1	TP15710	
39	2	TP15710D-POTJIE	
41	1	TP9688C	
42	1	TP9818D-rev-B	
43	2	TP9688U	
45	1	M5X2-MINARB-SS	
46	1	TP15953K	
47	1	TP15710-LOGO-900	
48	1	TP15710D	

Parts List



CLIENT: TPP	REV: B	PROJECT APPROVALS	DATE	TITLE	DWG. No:
ORDER NO: 14894	TOLERANCE	DRAWN: Johan Steyn	09/02/2016	900 BIB MS BLACK	TP14894
CLIENT DWS:	Holes ±0.1mm	APPROVED:		FINISH: NS 7 BLACK	
OPERATIONS:	1 BEND ±0.2mm	ORDER DATE: 2016-06-08		MATERIAL: 2.5mm MS	
1) PUNCH	2) BEND ±0.3mm	SHEET 1 OF 1			
2) DEBURR	3) POP REVT ±0.5	SCALE			
3) BEND	4) POP REVT				
4) POP REVT	5) WELD				
5) WELD	6) PAINT				
6) PAINT	7)				
7)					

Z:\TP-PRODUCTS\001-BIB-BUILT IN BRAAIS\900 BIB\TP14894-BIB-900-MS 2.5mm\TP14894.dwg
 Y:\TP-PRODUCTS\001-BIB-BUILT IN BRAAIS\TP14894-BIB-900-MS 3.0mm\TP14894-BIB-800-MS3\TP14894.dwg