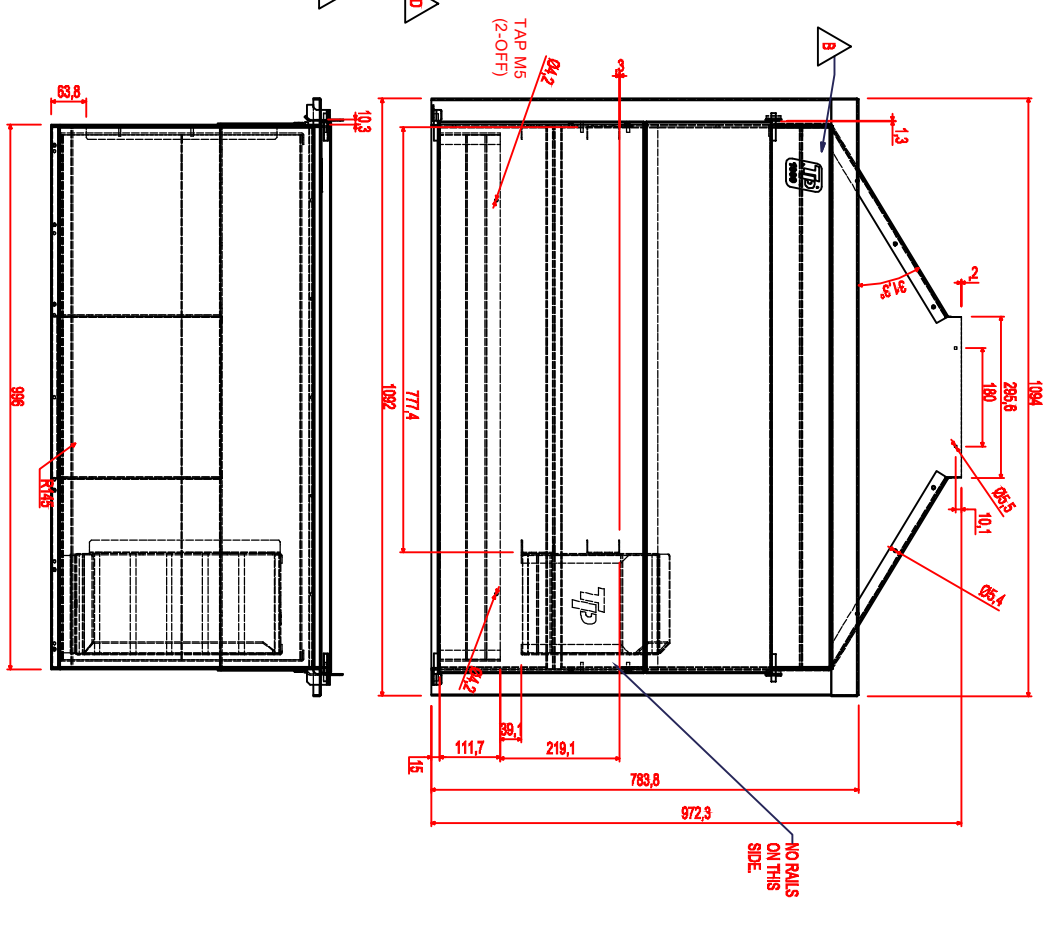
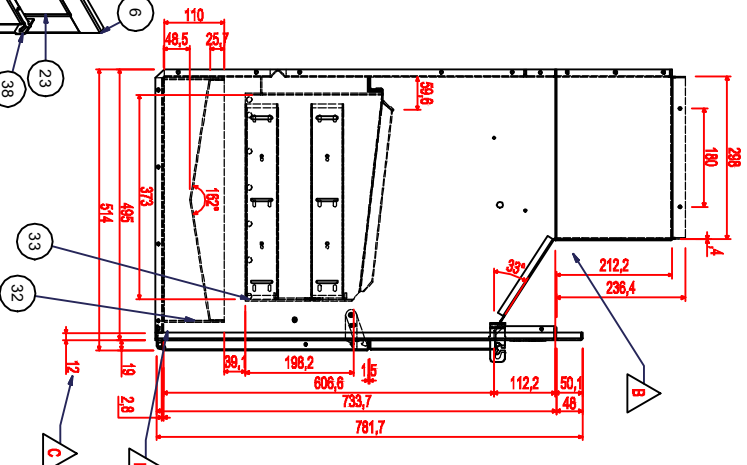
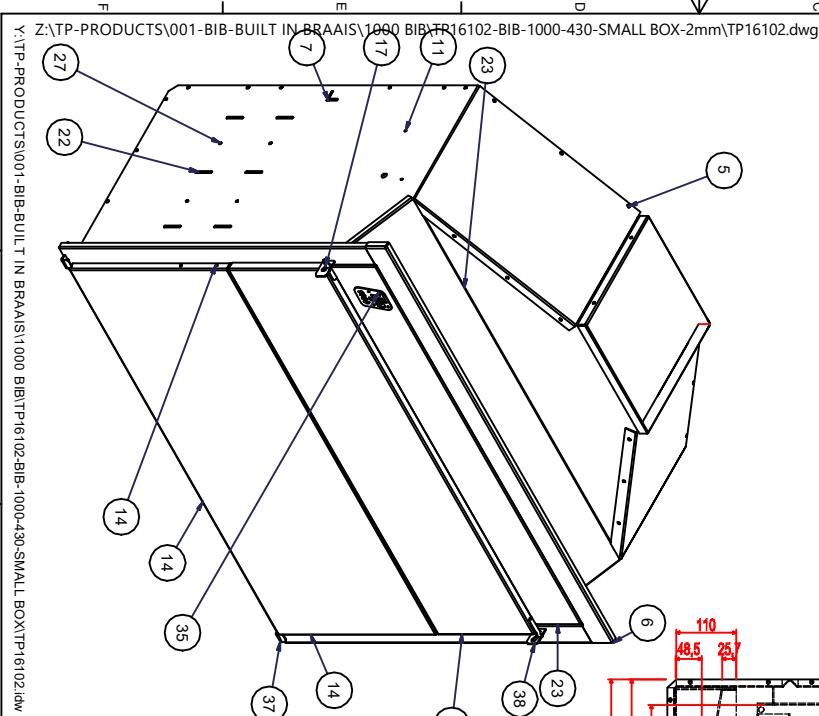


ITEM	QTY	PART NUMBER	DESCRIPTION
1	1	TP9688A	
5	1	TP9818F-rev-B	
6	1	TP9688E	
7	1	TP9688J	
11	2	M4X20-STUD	
14	1	TP14467D	
17	1	TP6688U	
22	1	TP15122C	
23	1	TP9818D-rev-B	
24	4	M5X2-MINARB-SS	
27	2	TP15953J	
30	2	TP15953P	
31	2	M5X10-STUD	
32	1	TP15953Q	
33	1	TP15710	
34	1	TP15953N	
35	1	TP16102L	
37	2	TP15953L-RH	
38	1	TP9688X	
41	1	TP15953B	
42	1	TP17352	

WEIGHT: 89KG
OUTSIDE DIMS: 1094X973X514mm DEEP.



CLIENT: TPP	REV: D	PROJECT: APPROVALS	DATE: 13/12/2016	TITLE: BIB 1000 - 2mm 430 ECONO. 300X300 flue.
REFERENCE: 15953	TOLERANCE: ±0.1mm	DRAWN: Johan Steyn	DATE: 13/12/2016	FINISH: BRUSHED
CLIENT DWG:	HOLE: ±0.2mm	APPROVED:	DATE: 2017-02-08	MATERIAL: 2.0mm 430 SS
OPERATIONS:	1. BEND ±0.3mm	ORDER DATE: 2017-02-08	OF: 1	SCALE: 1
1) PUNCH	2) BEND	SHEET: 1	OF: 1	SCALE: 1
2) DEBURR	3) WELD	DWG. No: TP16102	QTY: 2	
4) WELD	5) CLEAN			
5) CLEAN	6) CLEAN			
6) CLEAN	7) CLEAN			
7) CLEAN	8) CLEAN			

Z:\TP-PRODUCTS\001-BIB-BUILT IN BRAAIS\1000 BIB\TP16102-BIB-1000-430-SMALL BOX-2mm\TP16102.dwg
Y:\TP-PRODUCTS\001-BIB-BUILT IN BRAAIS\1000 BIB\TP16102-BIB-1000-430-SMALL BOX\TP16102.dwg