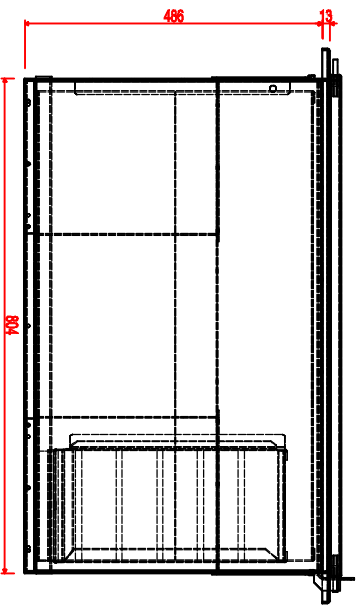
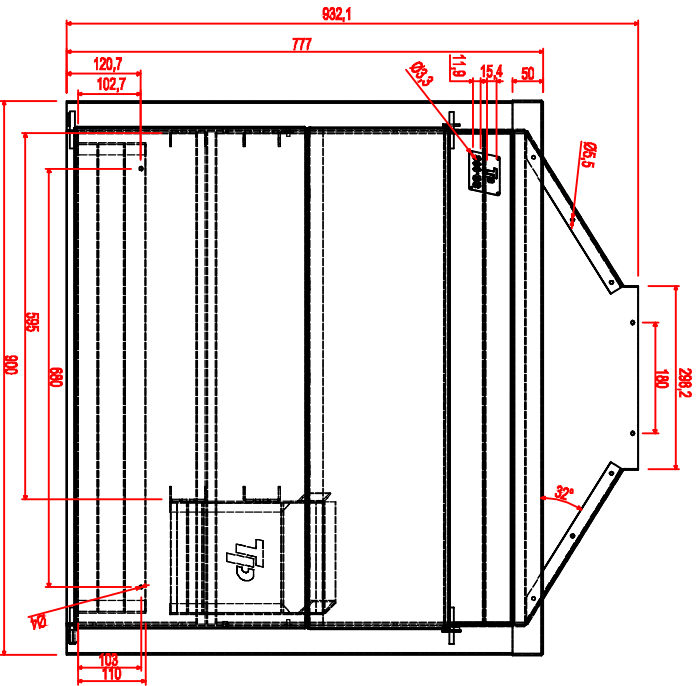
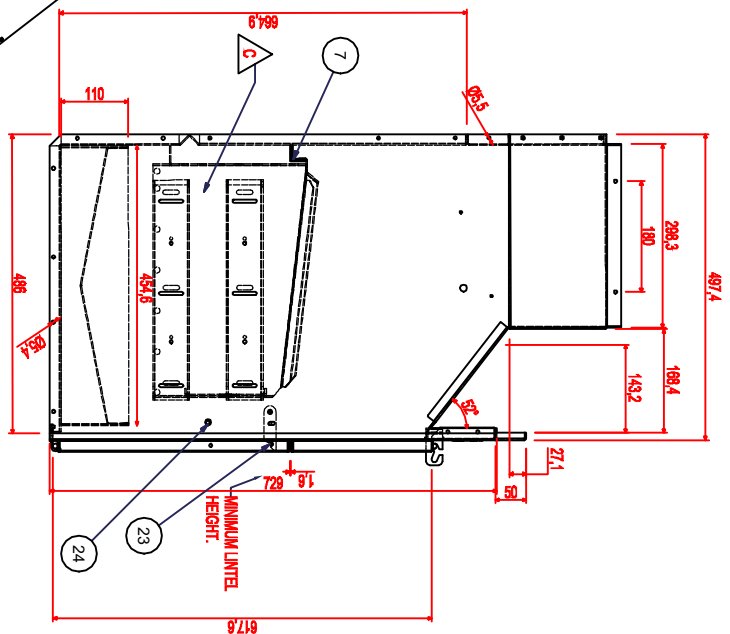
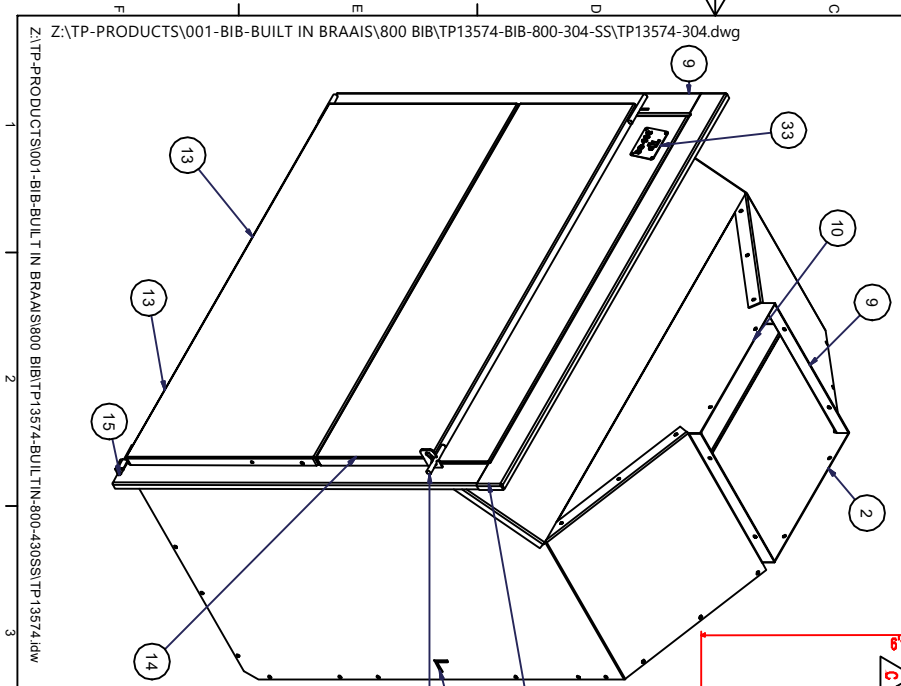


| Parts List | | | |
|------------|-----|------------------|-------------|
| ITEM | QTY | PART NUMBER | DESCRIPTION |
| 1 | 1 | TP9688A | |
| 2 | 1 | TP9818F-rev-B | |
| 6 | 1 | TP9688E | |
| 7 | 1 | TP9688J | |
| 9 | 1 | TP9688C | |
| 10 | 1 | TP9818D-rev-B | |
| 13 | 1 | TP8877B | |
| 14 | 1 | TP5472C | |
| 15 | 4 | TP5472F | |
| 23 | 2 | M5X15mm-STUD | |
| 24 | 2 | M6-2-MINARB | |
| 25 | 1 | TP9688U | |
| 26 | 1 | TP15710 | |
| 27 | 2 | TP15710D-POT/JIE | |
| 29 | 1 | TP14460Q | |
| 30 | 1 | TP15953L-RH | |
| 31 | 1 | TP9688B | |
| 32 | 1 | TP15953K | |
| 33 | 1 | TP13574P | |

GRID SIZE: 570X460 ZINC PLATED.



| | | | | | | | | | | |
|------------------|--|-------------------|------------------------|-----------------------------|--------------------|------------------|-----------------|------------------------|----------------------|--------|
| CLIENT: TPP | REV: D | PROJECT APPROVALS | | TITLE | DRAWN: Johan Steyn | DATE: 2015/01/15 | FINISH: BRUSHED | MATERIAL: 2.0mm 304 SS | Dwg. No: TP13574-304 | QTY: 2 |
| REFERENCE: 13574 | TOLERANCE: ±0.1mm HOLES, ±0.2mm BEND, ±0.3mm BEND TO BEND, ±0.05 ANGLES (BS 308 PT3) | APPROVED: | ORDER DATE: 2015-01-16 | 800 BUILT IN BRAAI - 304 SS | | | | | | |
| OPERATIONS: | 1) PUNCH 2) DEBURR 3) BEND 4) INSERTS 5) WELD 6) ASSY 7) CLEAN & RAP | | SHEET 1 OF 1 | SCALE | | | | | | |

Z:\TP-PRODUCTS\001-BIB-BUILT IN BRAAIS\800 BIB\TP13574-BIB-800-304-SS\TP13574-304.dwg