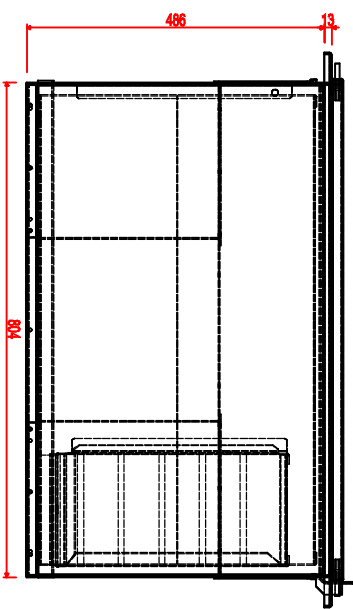
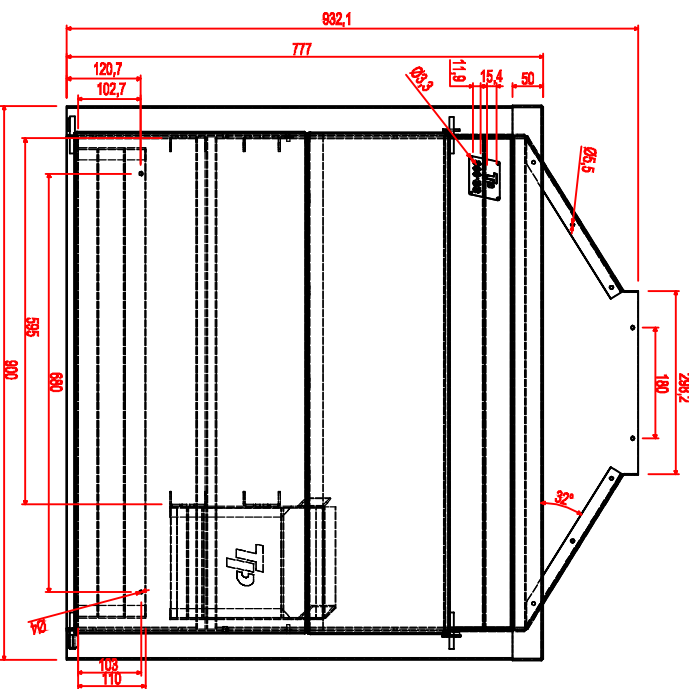
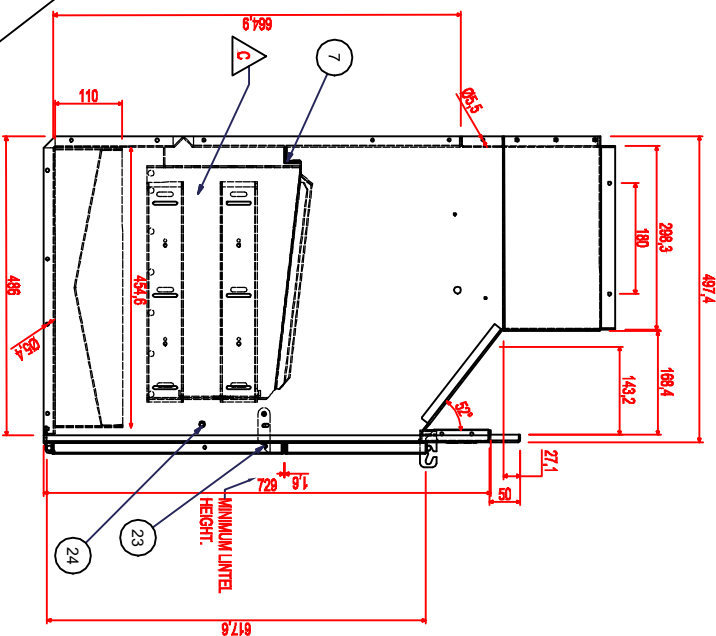
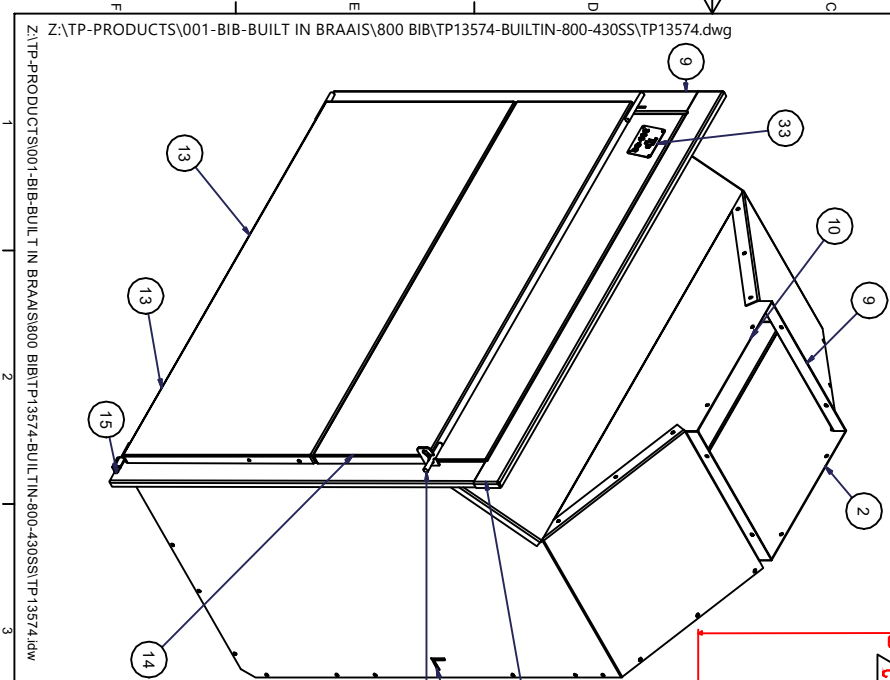


ITEM	QTY	PART NUMBER	DESCRIPTION
1	1	TP9688A	
2	1	TP9818F-rev-B	
6	1	TP9688E	
7	1	TP9688J	
9	1	TP9688C	
10	1	TP9818D-rev-B	
13	1	TP8877B	
14	1	TP5472C	
15	4	TP5472F	
23	2	M5X15mm-STUD	
24	2	M6-2-MINARB	
25	1	TP9688U	
26	1	TP15710	
27	2	TP15710D-POT/JIE	
29	1	TP14460Q	
30	1	TP15953L-RH	
31	1	TP9688B	
32	1	TP15953K	
33	1	TP13574P	

GRID SIZE: 570X460 ZINC PLATED.



Z:\TP-PRODUCTS\001-BIB-BUILT IN BRAAIS\800 BIB\TP13574-BUILT IN-800-430SS\TP13574.dwg

Z:\TP-PRODUCTS\001-BIB-BUILT IN BRAAIS\800 BIB\TP13574-BUILT IN-800-430SS\TP13574.dwg

CLIENT:	TPP
REFERENCE:	13574
CLIENT DWG:	
OPERATIONS:	1) PUNCH 2) DEBURR 3) BEND 4) INSERTS 5) WELD 6) ASSY 7) CLEAN & RAP

REV:	D
TOLERANCE	±0.1mm ±0.2mm 1 BEND TO BEND ±0.3mm ANGLES (BS 308 PT3) ±.05

APPROVALS	DATE
DRAWN: Johan Steyn	2015/01/15
APPROVED:	
ORDER DATE	2015-01-16
SHEET 1	OF 1
SCALE	

TITLE	800 BUILT IN BRAAI
FINISH	BRUSHED
MATERIAL	2.0mm 430 SS
Dwg. No:	TP13574
QTY:	2