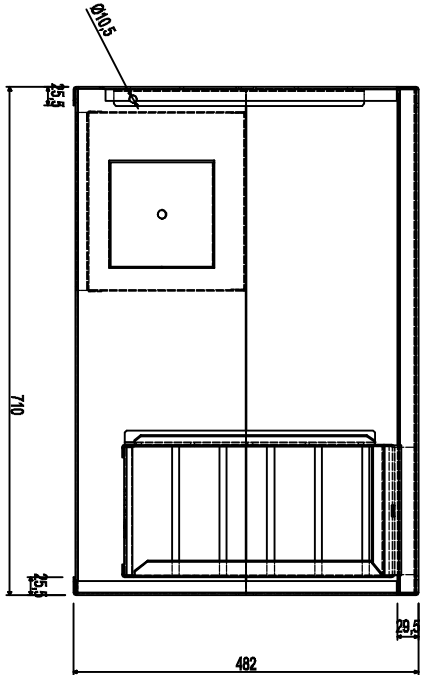
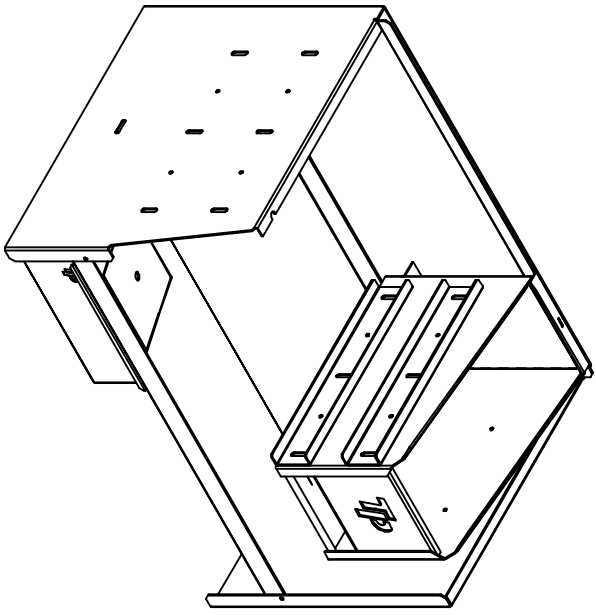
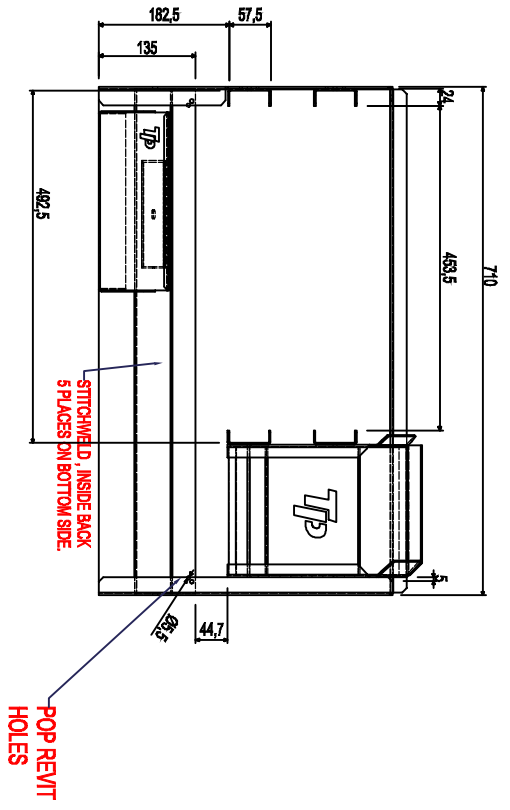
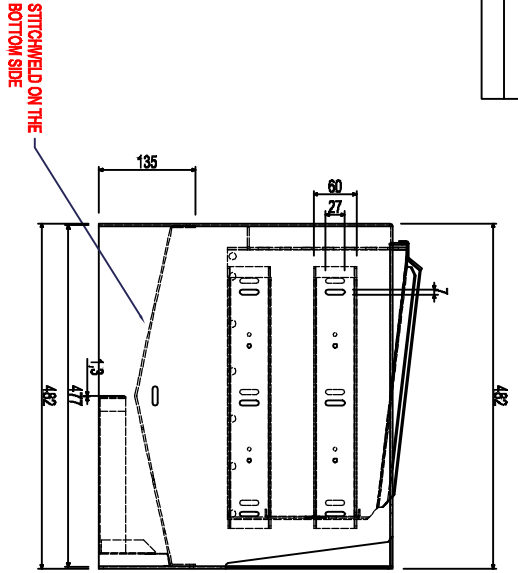


| Parts List | | | |
|------------|-----|------------------|-------------|
| ITEM | QTY | PART NUMBER | DESCRIPTION |
| 110 | 1 | TP17151A-rev-2 | |
| 111 | 1 | TP11674B-900 | |
| 112 | 1 | TP15710 | |
| 113 | 1 | TP7907E | |
| 115 | 2 | TP15710D-POUTJIE | |



Z:\TP-PRODUCTS\001-BIB-BUILT IN BRAAIS\INSERT TABLE TOP BRAAIS\TP11674-700 BRAAI INSERT\TP11674-700.dwg

| CLIENT | | REV. | | PROJECT | | TITLE | |
|----------------|-------|-----------|--------|------------|-------------|-----------|-----------------------------|
| ORDER NO: | TPP | TOLERANCE | ±0.1mm | DRAWN | Johan Steyn | FINISH | INSERTS STAND ALONE 700 BIB |
| REFERENCE: | 11674 | HOLE | ±0.2mm | APPROVED | 2017/10/17 | MATERIAL | |
| CLIENT'S EX: | | 1 BEND | ±0.3mm | ORDER DATE | 2018-10-08 | | |
| OPERATIONS: | | ANGLES | ±0.5 | SHEET | 1 | Dwg. No.: | |
| 1) PUNCH/LASER | | 2) DEBUR | | OF | 1 | QTY: | 3 |
| 3) BEND | | 4) WELD | | SCALE | | | |
| 4) WELD | | 5) CLEAN | | | | | |
| 5) CLEAN | | 6) | | | | | |
| 6) | | 7) | | | | | |
| 7) | | | | | | | |