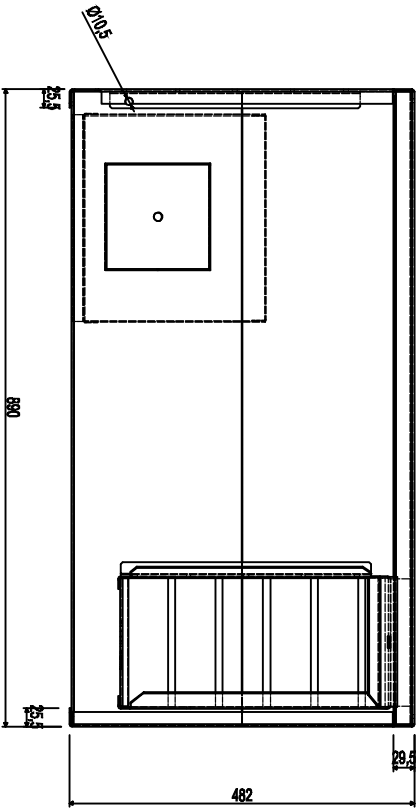
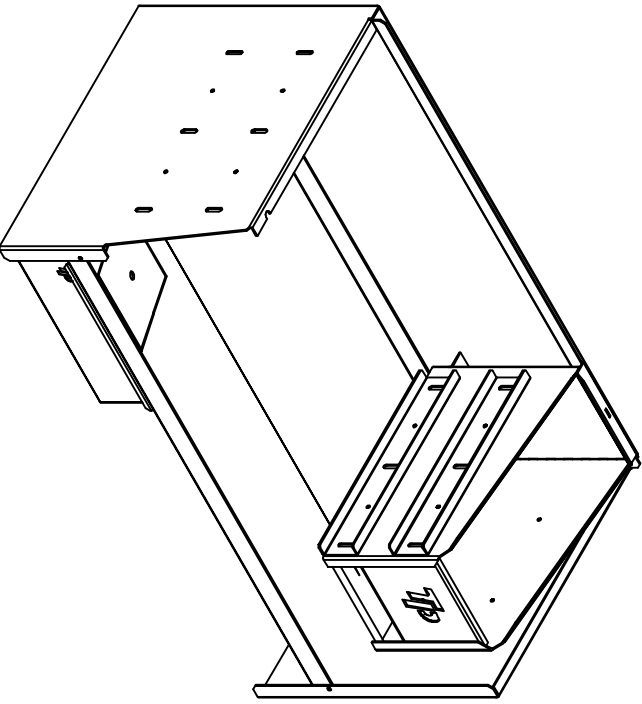
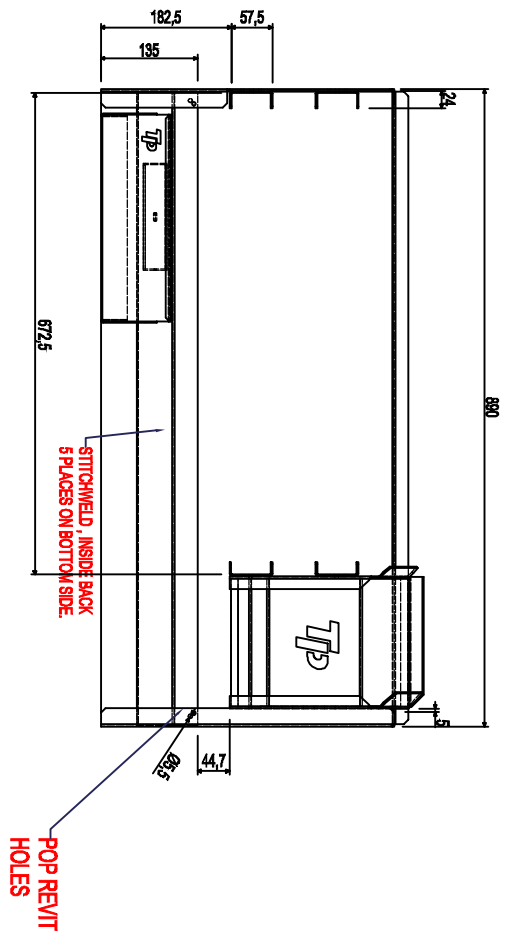
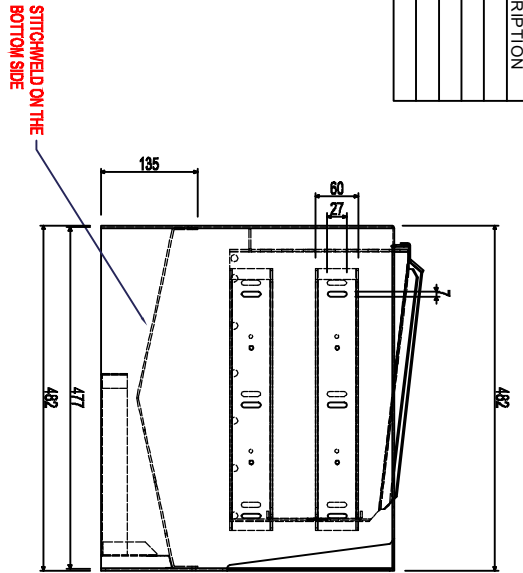


Parts List			
ITEM	QTY	PART NUMBER	DESCRIPTION
110	1	TP17151A-rev-2	
111	1	TP11674B-900	
112	1	TP15710	
113	1	TP7907E	
115	2	TP15710D-POTJIE	



Z:\TP-PRODUCTS\001-BIB-BUILT IN BRAAIS\INSERT TABLE TOP BRAAIS\TP11674-900 BRAAI INSERT\TP11674-900.dwg

CLIENT: <b>TPP</b>	REV:	PROJECT		Dwg. No:	QTY: 3
ORDER NO: 11674	TOLERANCE	APPROVALS	DATE	TITLE	
CLIENT'S EX: OPERATIONS:	HOLE ±0.1mm	DRAWN Johan Steyn	2017/10/17	INSERTS STAND ALONE 900 BIB	
1) PUNCH/LASER	1 BEND ±0.2mm	APPROVED		FINISH	
2) BEND	BEND TO BEND ±0.3mm	ORDER DATE	2018-10-08	MATERIAL	
3) DEBUR	ANGLES ±0.5	SHEET 1	OF 1		
4) WELD	(BS 308 PT3)	SCALE			
5) CLEAN					
6)					
7)					